

Swing

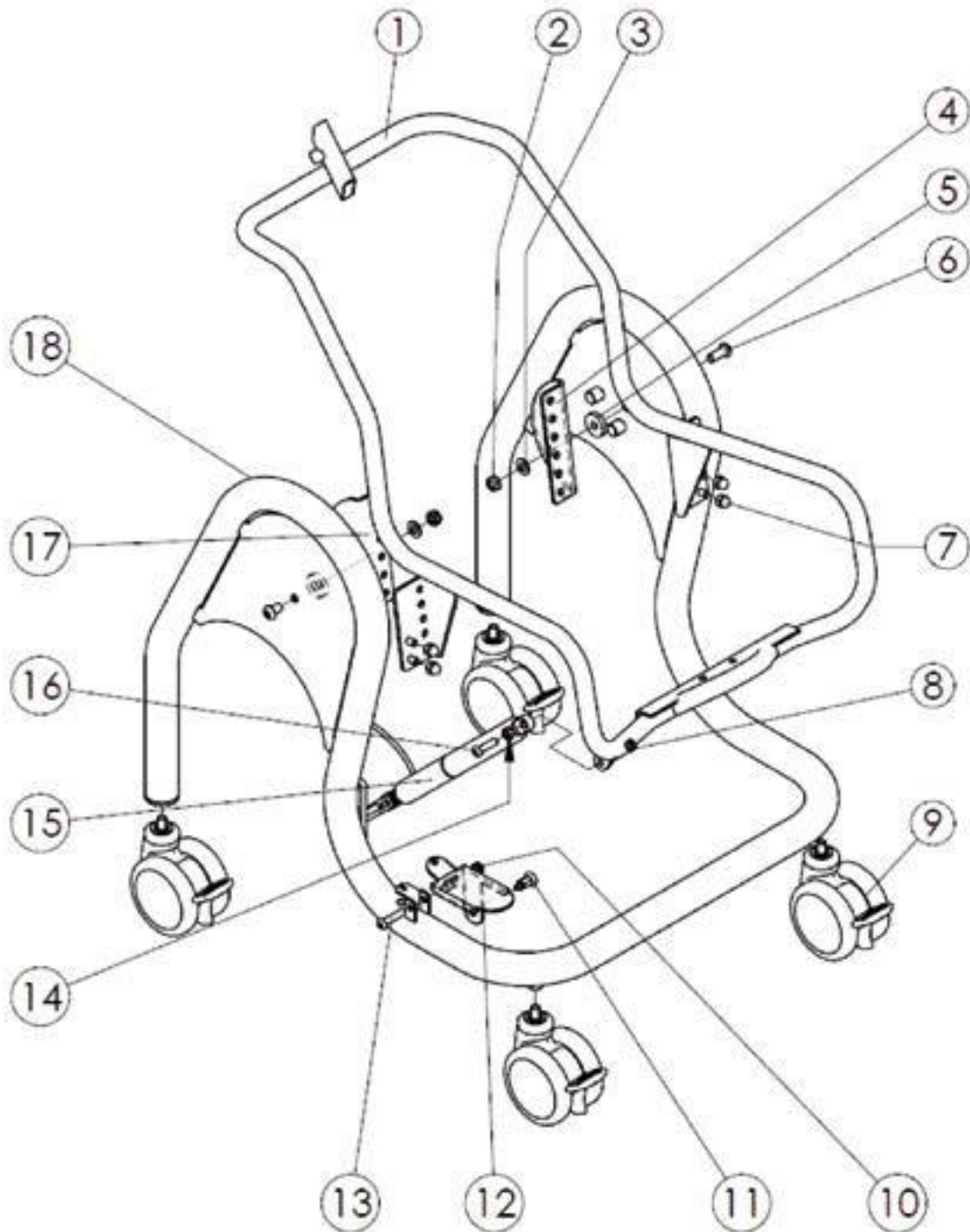


Swing

STAND 09/2019

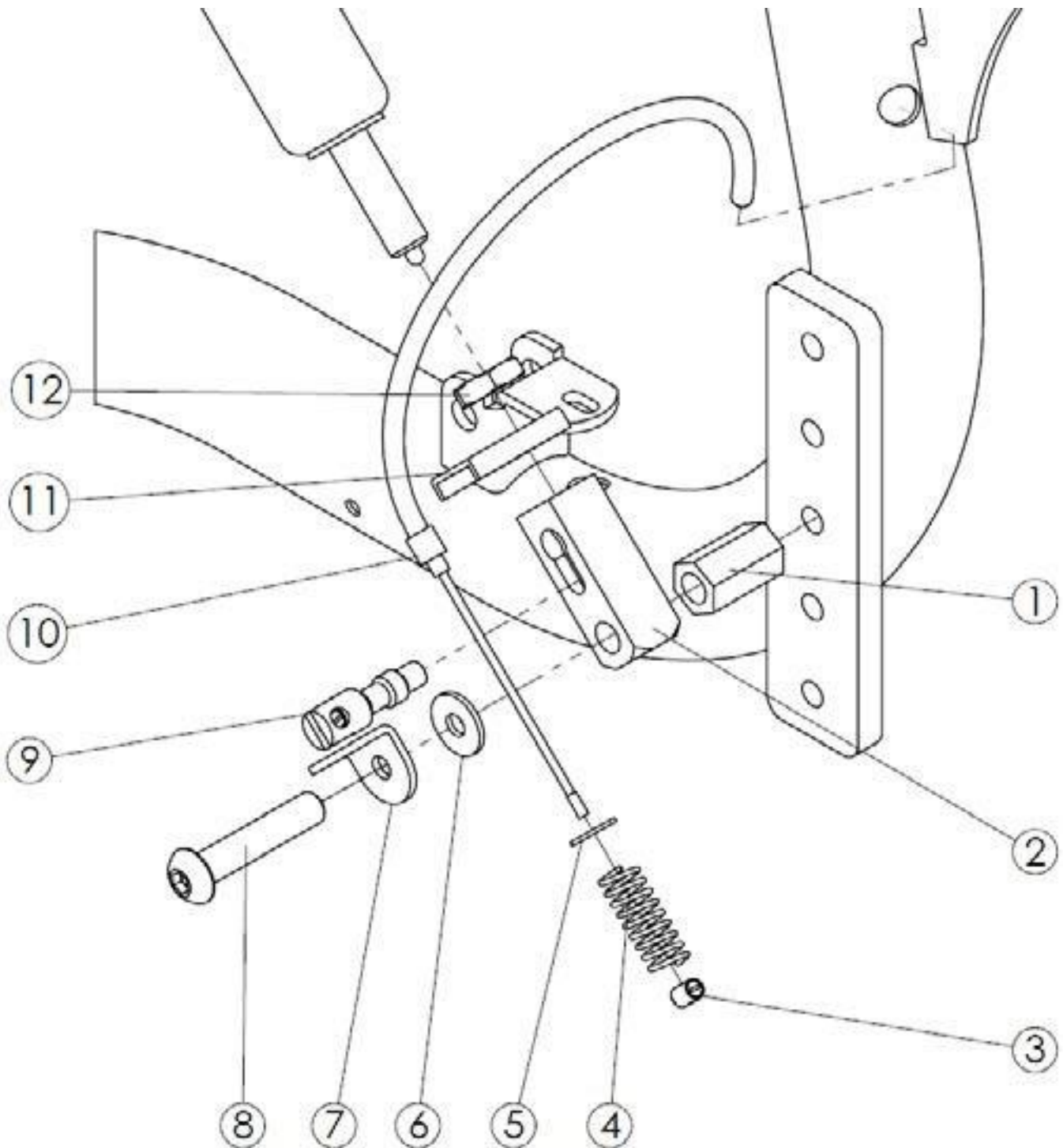
Frame	4
Release for gas spring	5
Seat	7
Leg support	9
Knee abduction wedge	11
Toilet bucket	13
Headrest	15
Table	17
Legsupport	19

Frame

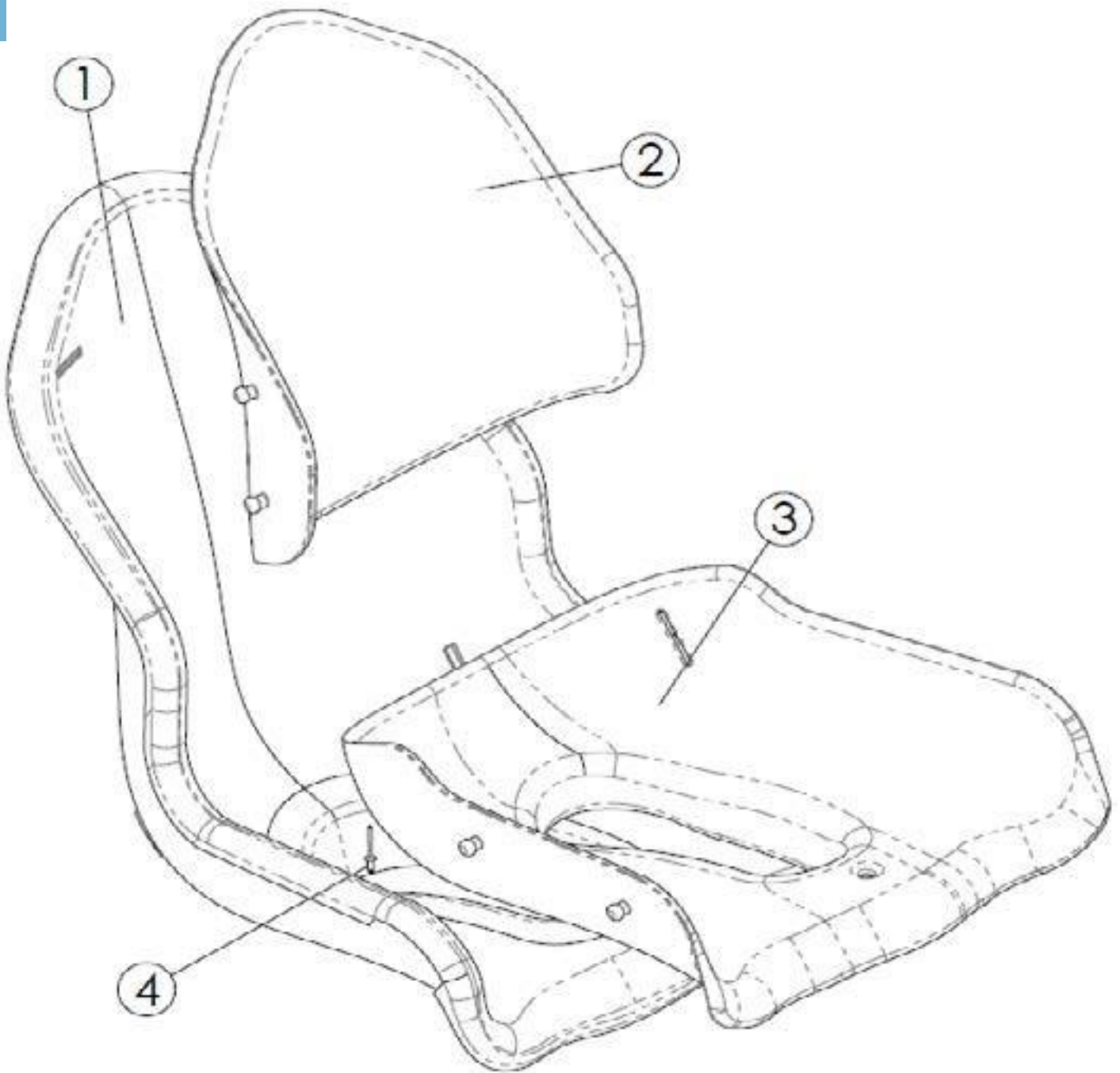


Release for Gas spring

5

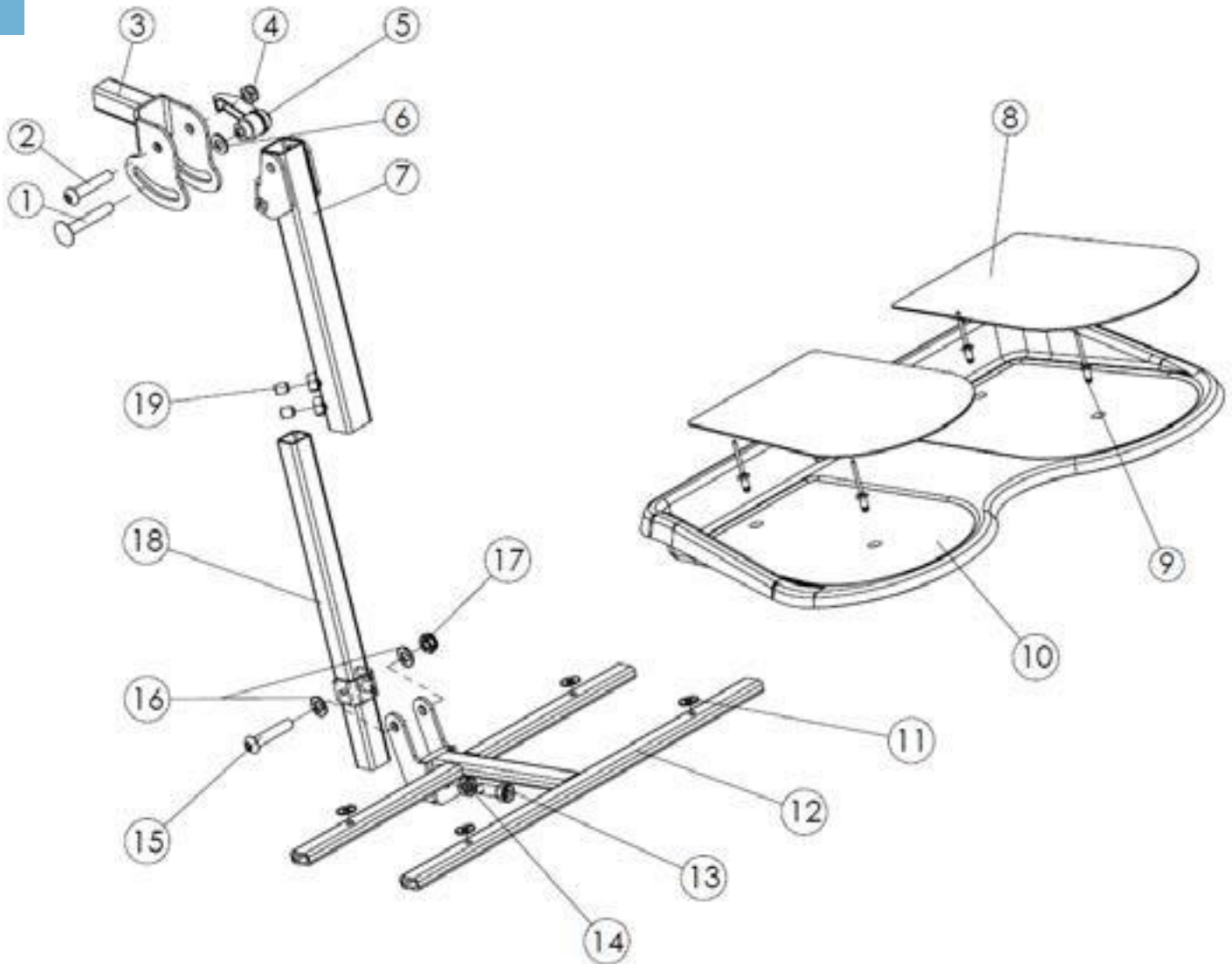


Seat

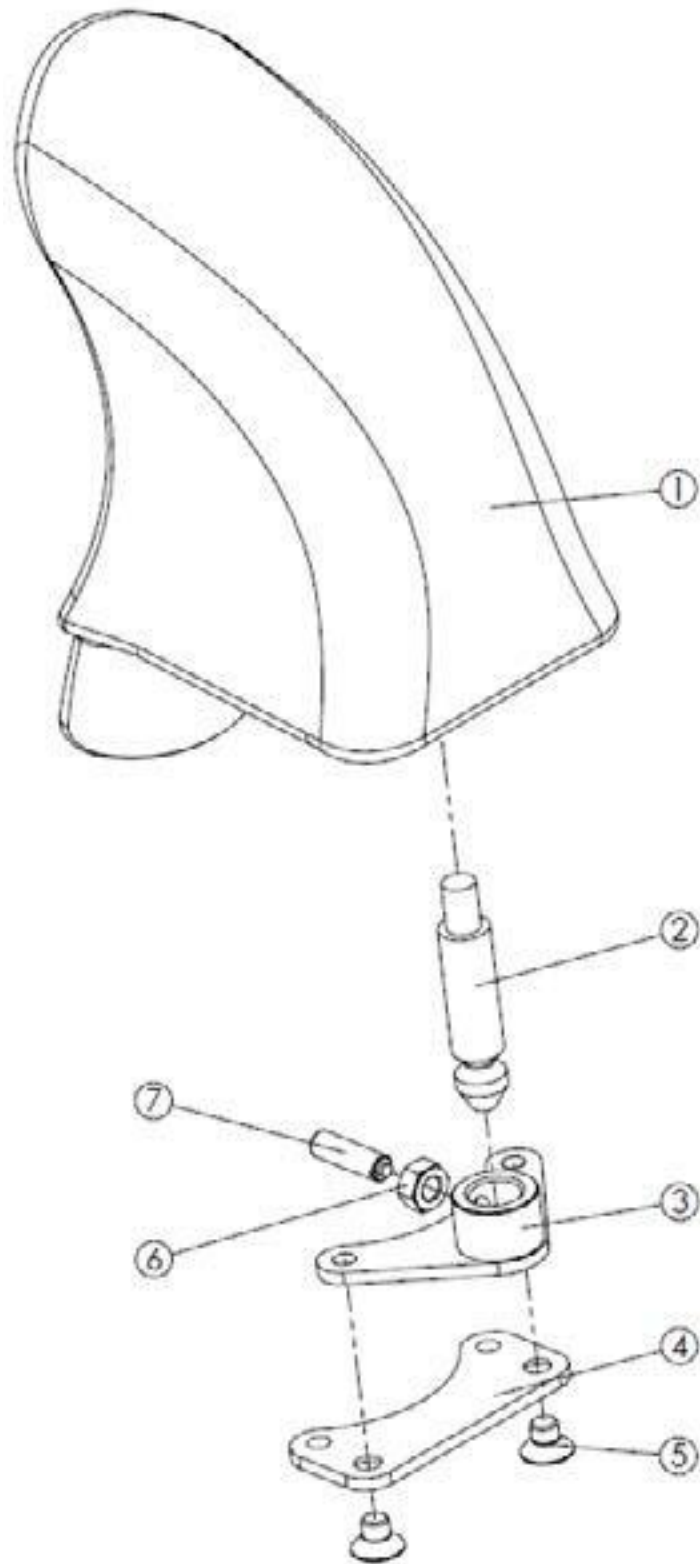


Leg support

9

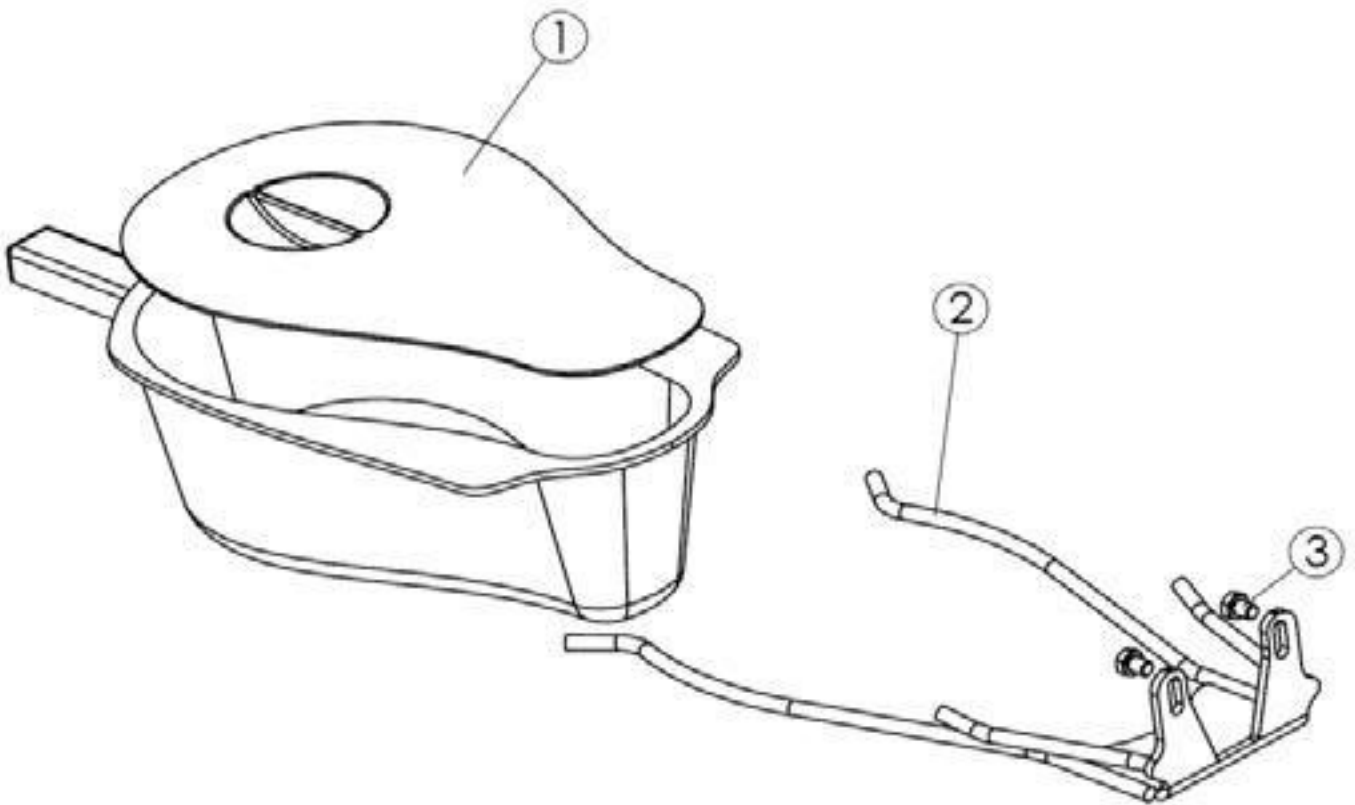


Knee abduction wedge



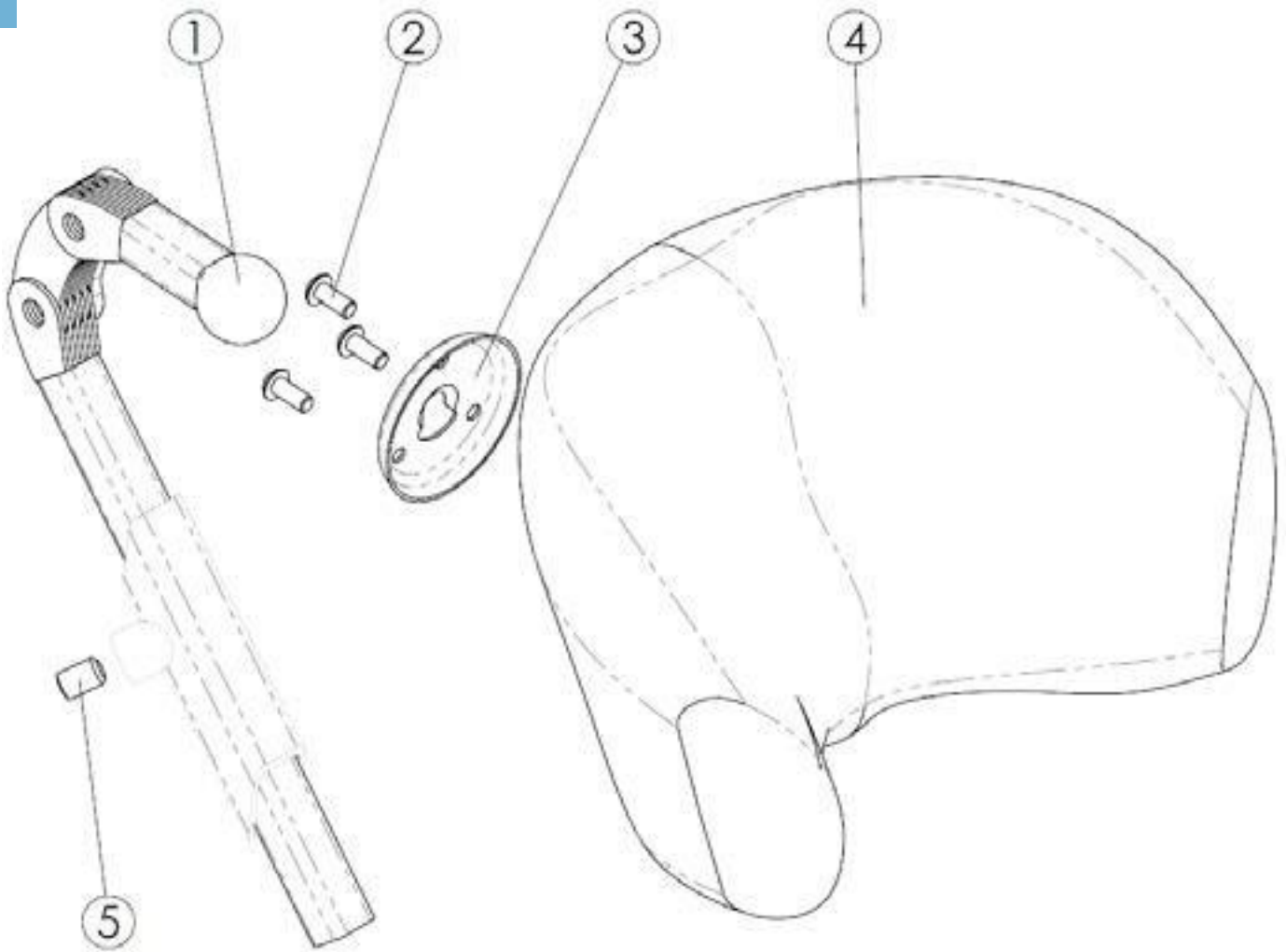
Spareparts – Knee abduction Wedge						12
Pos.	Productname	Medema art nr	Schuchmann referanse	Passer til str	Antall	
1	Knee abduction wedge with integrated spraying protection size 0+1	4513-1014	5201103/F	0+1	1	
1	Knee abduction wedge with integrated spraying protection size 2	4513-1019	5202103/F	2-4	1	
1	Knee abduction wedge with integrated spraying protection size 3	4513-1111	5203103/F	0-4	1	
2-7	Holder for abduction wedge on chair size 0-2	4513-1022	5291010	0-2	1	
2-7	Holder for abduction wedge on chair size 3-4	4513-1110	5292010	3+4	1	
Boris Gr. 0 - 2 Spritzschutzhalter Gr. 2 Boris Gr. 3 Spritzschutzhalter Gr. 1 + Distanzblech für Spritzschutzhalter oder Spritzschutzhalter Gr. 2 Boris Gr. 4 Spritzschutzhalter Gr. 2 + Distanzblech für Spritzschutzhalter						

Toilet bucket



Sparepart – Toilet bucket						14
Pos.	Productname	Medema art nr	Schuchmann referanse	Passer til str	Antall	
1	Toilet bucket	4502-1049	5200102	0-4	1	
2-3	Holder for toilet bucket size 0+1	4506-1016	5200028	0+1	1	
2-3	Holder for toilet bucket size 2,3+4	4506-1019	5202028	2-4	1	

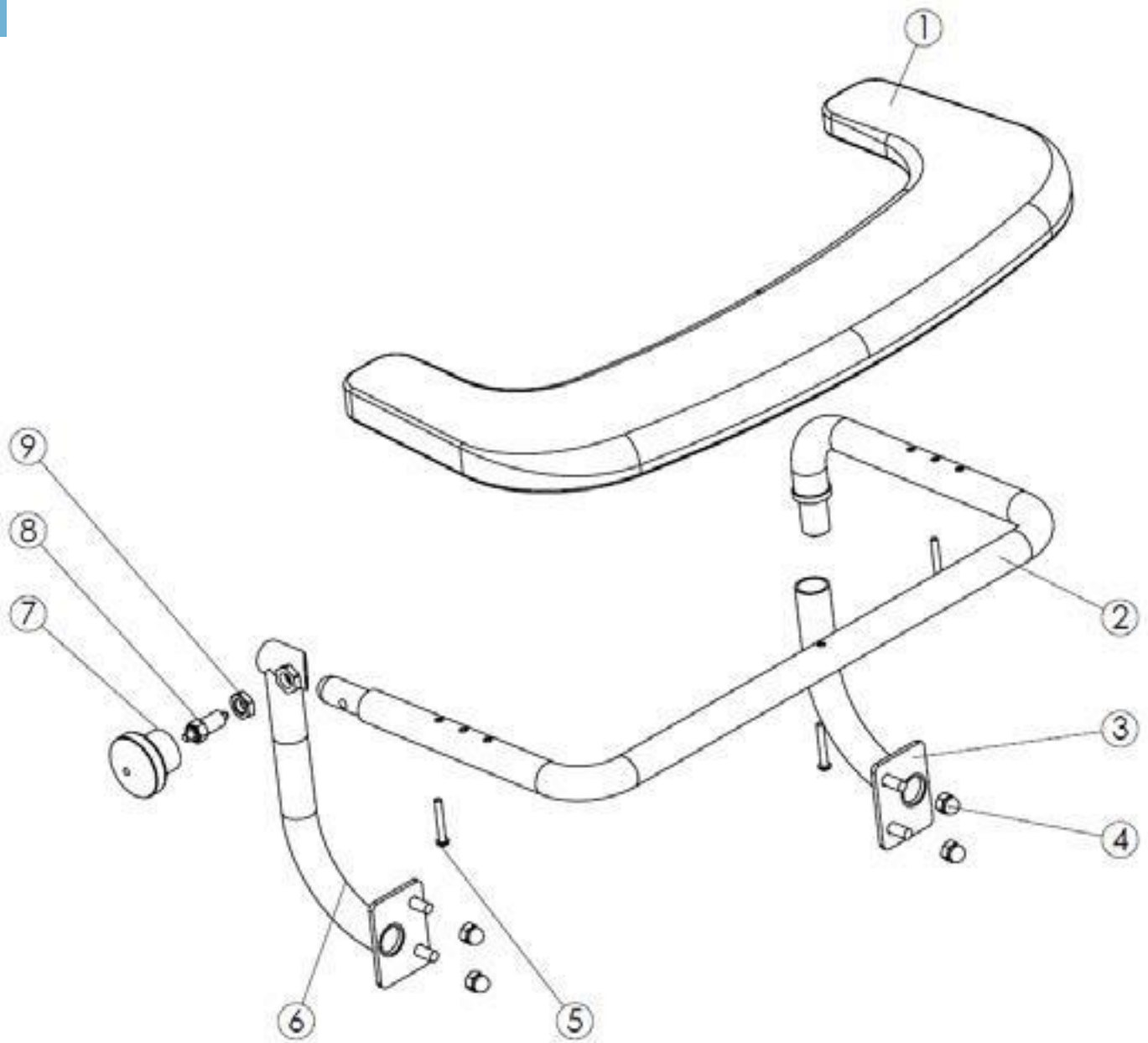
Headrest



Headrest						16
Pos.	Productname	Medema art nr	Schuchmann referanse	Passer til str	Antall	
1-5	Headrest Swing	4513-1013	5200001	0-4	1	

Table

17



Spareparts -Table						18
Pos.	Productname	Medema art nr	Schuchmann referanse	Passer til str	Antall	
1-9	Table with padded armrest surface incl.attachment size 0	4514-1001	5200012	0	1	
1-9	Table with padded armrest surface incl.attachment size 1	4514-1002	5201002	1	1	
1-9	Table with padded armrest surface incl.attachment size 2	4514-1004	5202002	2	1	
1-9	Table with padded armrest surface incl.attachment size 3	4514-1006	5203002	3	1	
1-9	Table with padded armrest surface incl.attachment size 4	4514-1008	5204002	4	1	
3-4	Holder f Table size 0-4 Left side	4514-1100	5251001	0-4	1	
6	Holder f Table size 0 Right side	4514-1009	5295050	0	1	
6	Holder f Table size 1-4 Right side	4514-1101	5295042	1-4	1	
7	POM-KNOB for table fixation	4514-1012	5295016	0-4	1	

19

Legsupport

Pos.	Productname	Medema art nr	Schuchmann referanse	Passer til str	Antall
	Legsupport Universal Swing	4513-1025	5201009	0-4	1

